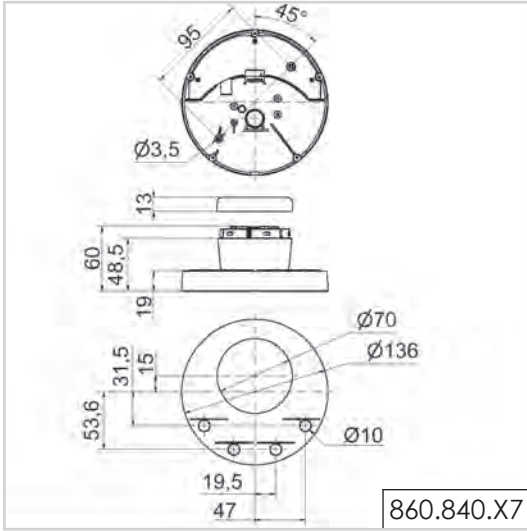
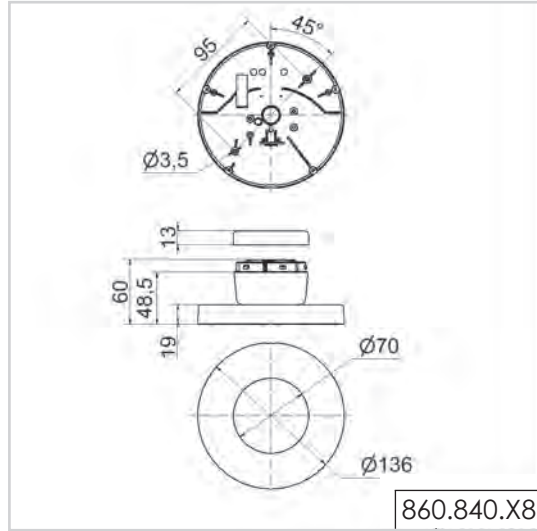


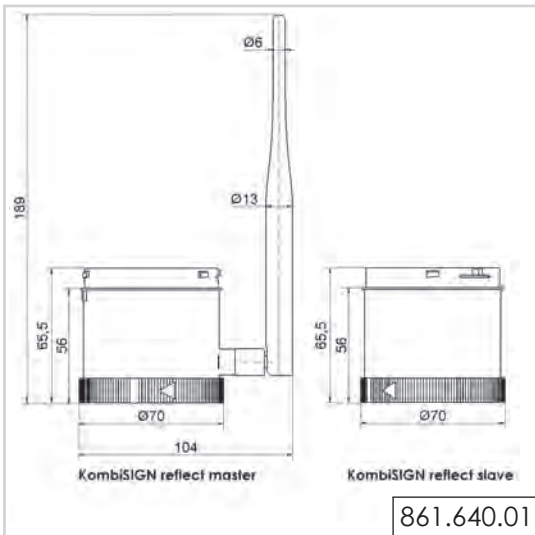
Technical Diagrams



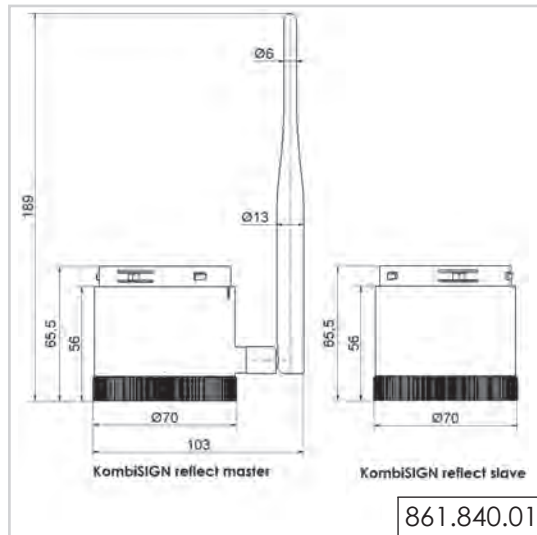
860.840.X7



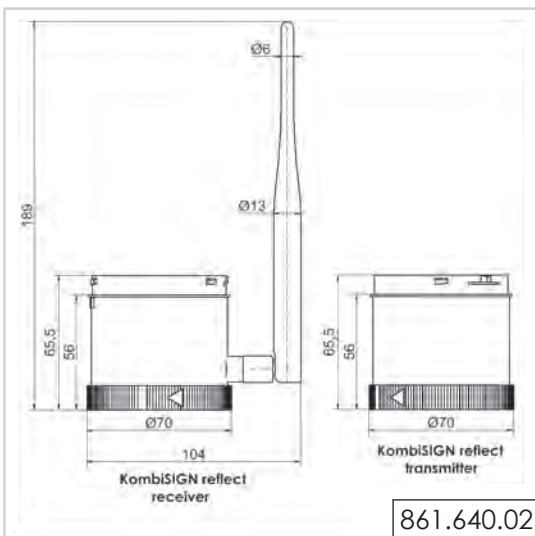
860.840.X8



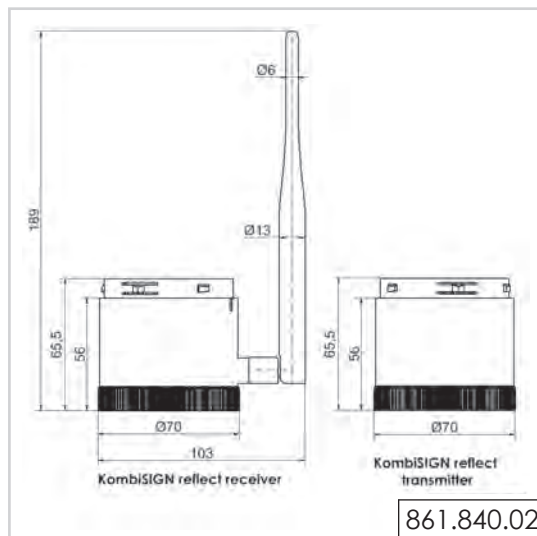
861.640.01



861.840.01



861.640.02



861.840.02